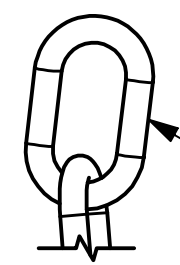
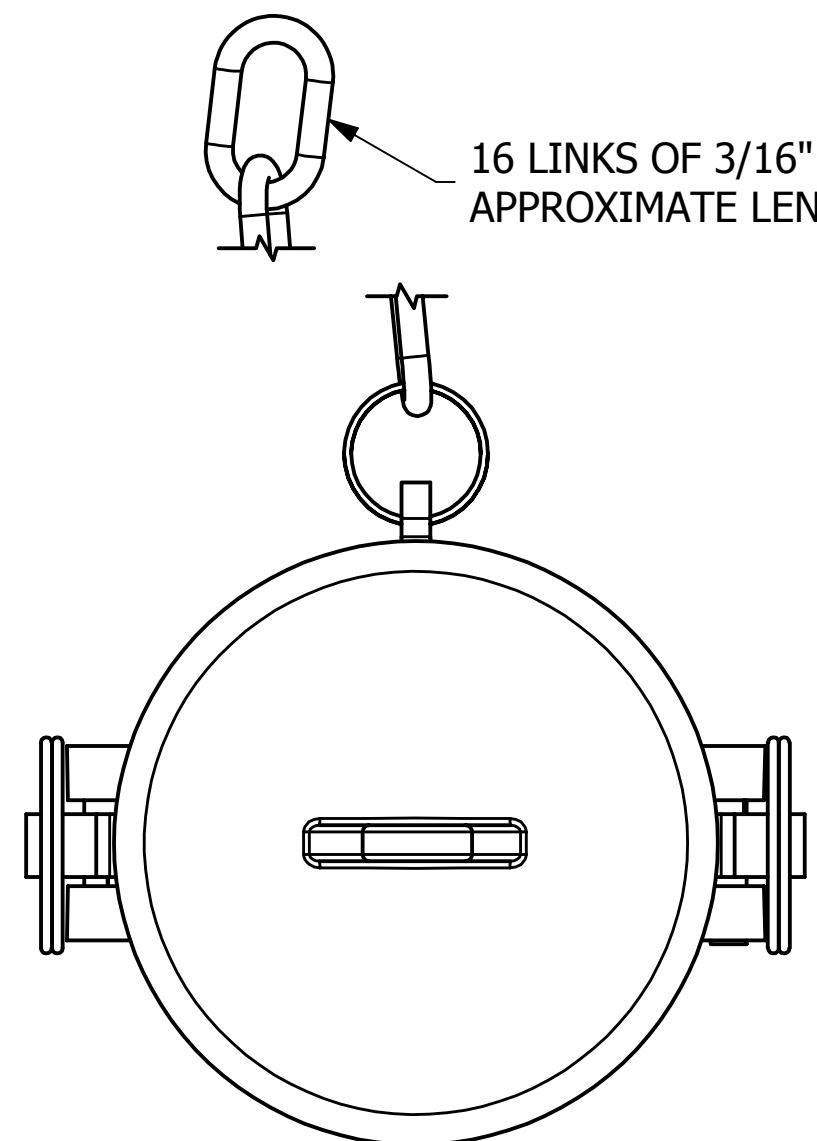
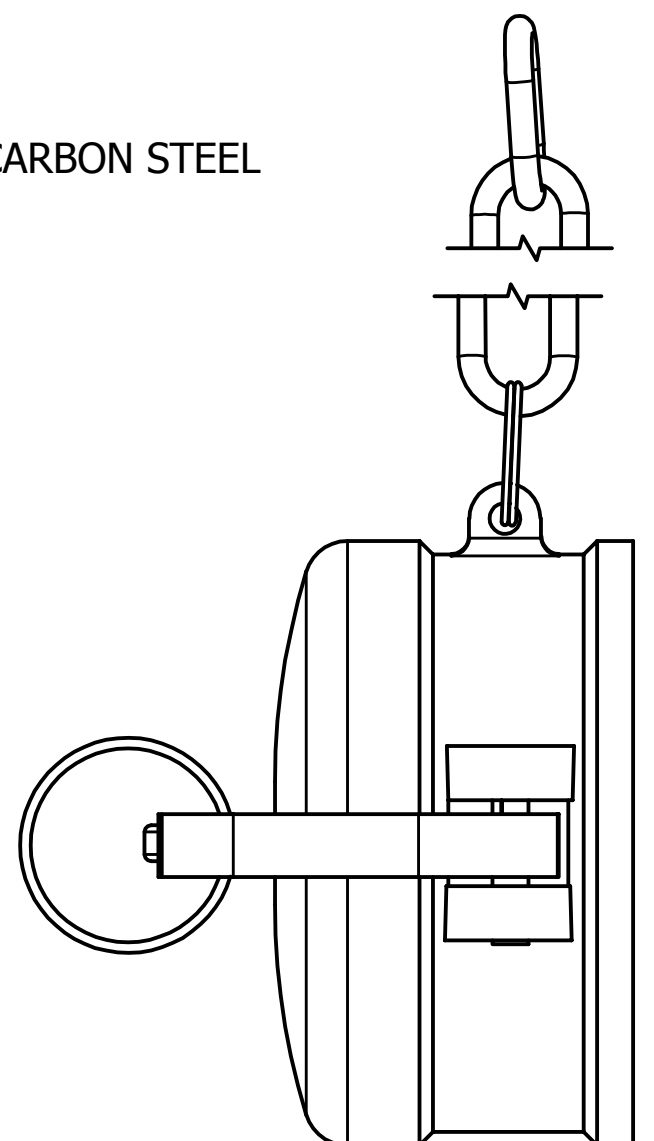


4 3 2 1



16 LINKS OF 3/16" ZINC-PLATED CARBON STEEL
APPROXIMATE LENGTH IS 16"



SALES DRAWING

SALES DRAWING

B

B


A

A

NOTE:
GASKET MATERIAL IS FDA WHITE NITRILE.

REV	BY	DATE	DESCRIPTION
B	FOD	8-21-98	CHANGE LENGTH TO 17 LINKS ON BOM
A	MRC	1-27-98	ADDED 1" RING TO BOM, NEW TITLE BLOCK, NEW TAB LOCATION, REDREW ARMS, SC28 REQUIRED 17 LINKS

UNLESS OTHERWISE SPECIFIED DIMENSIONAL TOLERANCES		DRAWN BY:	ACC
FRACTIONAL:	±1/16	CHECKED BY:	AVD
X.XX:	±.03	PROTOTYPE BY:	ACC
X.XXX:	±.015	PROTOTYPE DATE:	2/2/1996
ANGULAR:	±1°	APPROVED FOR PRODUCTION BY:	ACC
DEBURR ALL SHARP EDGES. ALL MACHINED SURFACES TO HAVE A 125 RMS FINISH UNLESS NOTED OTHERWISE.		PRODUCTION DATE:	2/2/1996
THIRD ANGLE PROJECTION			

 SALCO PRODUCTS, INC.		
PART NAME: DUST CAP 3"		
MATERIAL: ALUMINUM		
PROJECT #:	SHEET #: 1 OF 1	SCALE: 3:4
DRAWING #: B7914	PART #: PD3ALCA	

THIS PRINT, PROPERTY OF SALCO PRODUCTS INC., CONTAINS PROPRIETARY INFORMATION AND MUST NOT BE COPIED, REPRODUCED, OR USED DETRIMENTALLY TO OUR INTEREST.

4 3 2 1